

IASO®

Better Outside

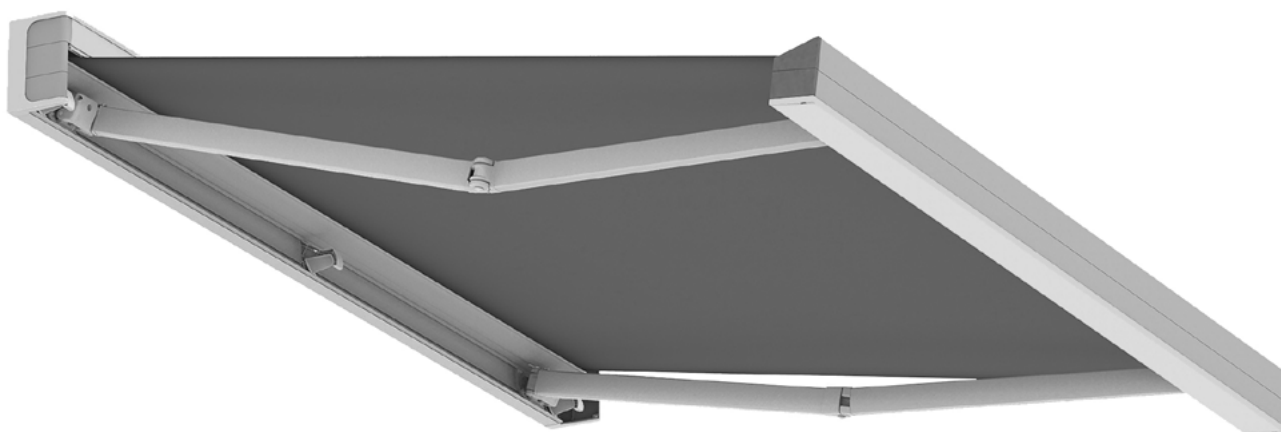
TECHNICAL DATA SHEET

ENGLISH

AWNING

WITH BOX

POLARIS V



INDEX	—	02	DESCRIPTION
		02	TECHNICAL CHARACTERISTICS
		02	INSTALLATION
		02	LIGHTING
		03	EXPLODED VIEW
		04	SUPPORT DIMENSIONS
		05	PROJECTION DIAGRAM
		06	MINIMUM SIZE
		06	PRODUCT CLASSIFICATION
		06	PRECIPITATIONS CLASSIFICATION
		06	WIND CLASSIFICATION
		07	MOTOR COMPATIBILITY
		07	MOTOR-TUBE (Ø) COMPATIBILITY
		07	MOTORISATION
		08	ACRYLIC / PLASTIC FABRIC CONFIGURATION
		09	TRANSMITTERS

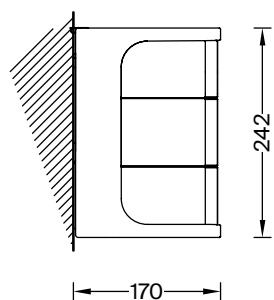
DESCRIPTION

Polaris V is characterised by its clean, minimalist lines, with all fixing elements and hardware completely concealed. The awning components can be customised with countless colour combinations, making it a true decorative element when closed—whether in a tone-on-tone finish or in two-tone options—giving it a unique identity in its category.

TECHNICAL FEATURES

- Structure: Aluminium 6063-T5 for the profiles
- Screws and fittings: AISI 304 stainless and galvanized steel

INSTALLATION

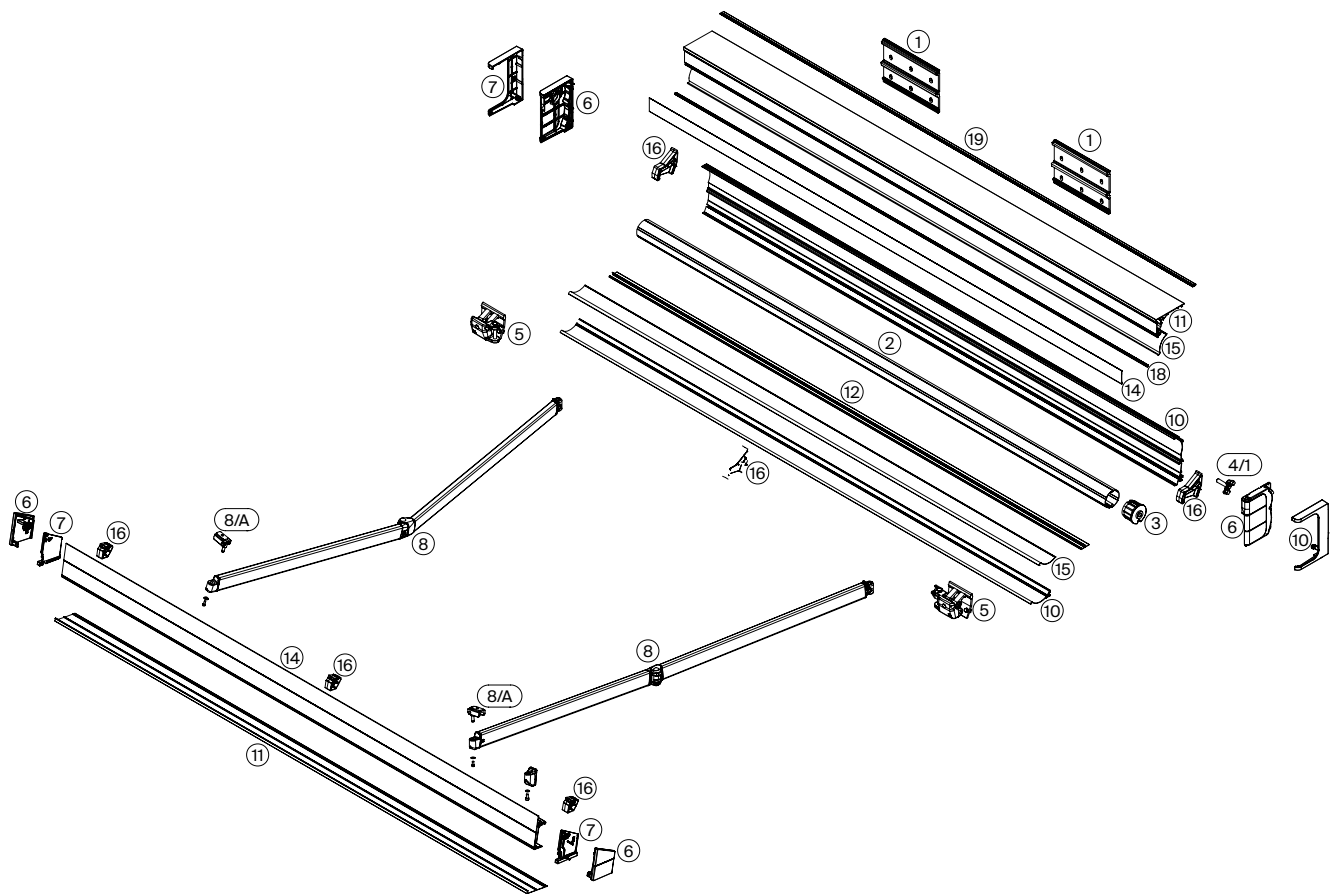


Wall installation

LIGHTING

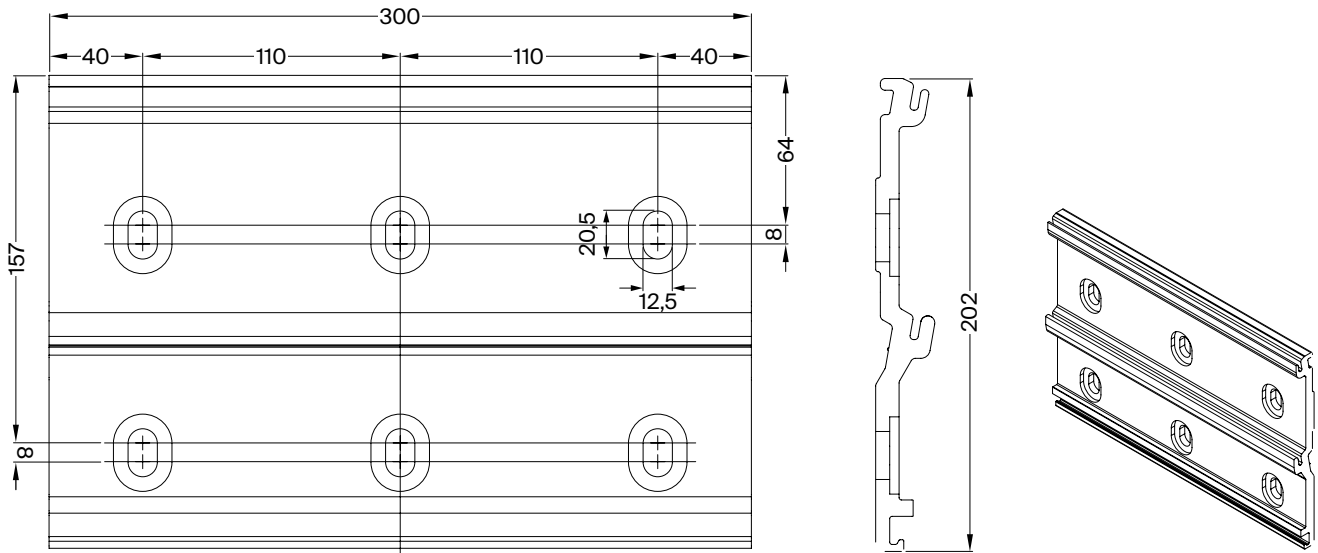
ARMS	CASSETTE	SIDE LIDS
Yes	Yes	No

EXPLODED VIEW



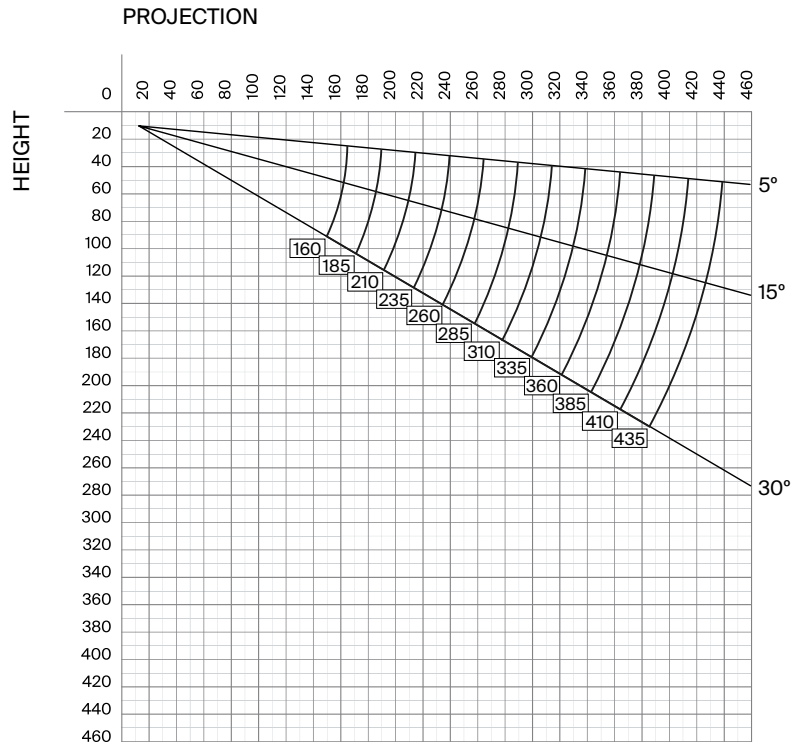
- 1 Wall bracket
- 2 Roller tube
- 3 Insert with Ø14 mm hollow core
- 4/1 H30 plate with removable round shaft
- 5 Arm bracket
- 6 End caps for terminal and box
- 7 Covers for end caps (terminal and box)
- 8 Retractable arms
- 8/A Arm sliders
- 10 Rear profiles kit "POLARIS V"
- 11 Top profiles kit "POLARIS V"
- 12 Lower cover board
- 14 Coloured profiles kit "POLARIS V"
- 15 PVC fabric protection profile
- 16 Guide funnel
- 18 Gasket / rubber seal
- 19 Gasket / rubber seal

BRACKET DIMENSIONS

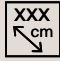
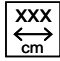



PROJECTION DIAGRAM

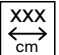
WALL MOUNTING



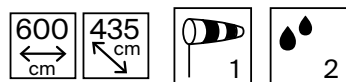
MINIMUM SIZE

	160	185	210	235	260	285	310	335
	221	246	271	296	321	346	371	371

 Saída do toldo

 Largura do toldo

PRODUCT CLASSIFICATION



PRECIPITATION CLASSIFICATION



CLASS	Average intensity in one hour (mm/h)	Environmental condition
1	≤ 2	Weak
2	> 2 y ≤ 15	Moderate

WIND CLASSIFICATION



CLASS	Grade Beaufort	Wind speed		Pressure	Environmental condition
1	0	0 - 1 km/h	0.0 - 0.3 m/s	0.05 N/m ²	Calm
	1	1 - 5 km/h	0.3 - 1.4 m/s	1.21 N/m ²	Very light breeze
	2	6 - 11 km/h	1.7 - 3.1 m/s	5.84 N/m ²	Light breeze
	3	12 - 19 km/h	3.4 - 5.3 m/s	17.41 N/m²	Gentle breeze
2	4	20 - 28 km/h	5.6 - 7.8 m/s	37.81 N/m ²	Moderate wind
3	5	29 - 38 km/h	8.1 - 10.6 m/s	69.64 N/m ²	Fresh wind

WIND CLASSIFICATION

CLASS	WIDTH (m)							
PROJECTION (m)	2,50	3,00	3,50	4,00	4,50	5,00	5,50	6,00
1,60	1	1	1	1	1	1	1	1
1,85	1	1	1	1	1	1	1	1
2,10		1	1	1	1	1	1	1
2,35		1	1	1	1	1	1	1
2,60			1	1	1	1	1	1
2,85			1	1	1	1	1	1
3,10				1	1	1	1	1
3,35				1	1	1	1	1
3,60					1	1	1	1
3,85					1	1	1	1
4,10						1	1	1
4,35						1	1	1

MOTOR COMPATIBILITY

MOTOR COMPATIBLE	
Somfy Sunea io	Simu K7 Star

MOTOR-TUBE (Ø) COMPATIBILITY

TORQUE MOTOR (Nm)	MOTOR (mm)	TUBO (mm)
≤50	Ø50	Ø70 y Ø80
>50	Ø60	Ø80

MOTORISATION (Nm)

Torque Motor (Nm)	WIDTH (m)							
PROJECTION (m)	2,50	3,00	3,50	4,00	4,50	5,00	5,50	6,00
1,60	30	30	30	30	30	30	50	50
1,85	30	30	30	30	40	40	50	50
2,10		30	30	30	40	40	50	50
2,35		40	40	40	50	50	70	70
2,60			40	40	50	50	70	70
2,85			40	40	50	50	70	70
3,10				50	50	50	70	70
3,35				50	50	50	70	70
3,60					55	55	70	70

ACRYLIC OR PLASTIC FABRIC CONFIGURATION

PROJECTION (m)	WIDTH (m)							
	2,50	3,00	3,50	4,00	4,50	5,00	5,50	6,00
1,60	2 / 2 / 80	2 / 2 / 80	2 / 2 / 80	2 / 2 / 80	2 / 3 / 80	2 / 3 / 80	2 / 3 / 80	2 / 3 / 80
1,85	2 / 2 / 80	2 / 2 / 80	2 / 2 / 80	2 / 2 / 80	2 / 3 / 80	2 / 3 / 80	2 / 3 / 80	2 / 3 / 80
2,10		2 / 2 / 80	2 / 2 / 80	2 / 2 / 80	2 / 3 / 80	2 / 3 / 80	2 / 3 / 80	2 / 3 / 80
2,35		2 / 2 / 80	2 / 2 / 80	2 / 2 / 80	2 / 3 / 80	2 / 3 / 80	2 / 3 / 80	2 / 3 / 80
2,60			2 / 3 / 80	2 / 3 / 80	2 / 3 / 80	2 / 3 / 80	2 / 3 / 80	2 / 3 / 80
2,85			2 / 3 / 80	2 / 3 / 80	2 / 3 / 80	2 / 3 / 80	2 / 3 / 80	2 / 3 / 80
3,10				2 / 3 / 80	2 / 3 / 80	2 / 3 / 80	2 / 3 / 80	2 / 3 / 80
3,35				2 / 3 / 80	2 / 3 / 80	2 / 3 / 80	2 / 3 / 80	2 / 3 / 80
3,60					2 / 3 / 80	2 / 3 / 80	2 / 3 / 80	2 / 3 / 80
4,10						2 / 3 / 80	2 / 3 / 80	2 / 3 / 80
4,35						2 / 3 / 80	2 / 3 / 80	2 / 3 / 80

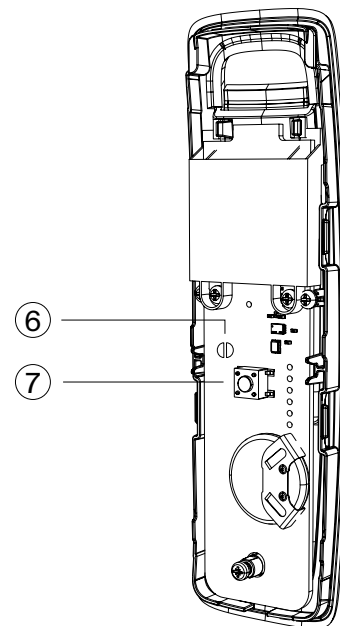
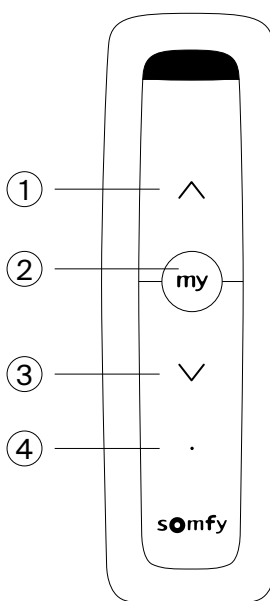
* Arms / Brackets / Ø Roller Tube

EMITTERS

SOMFY SITUO 1

Frequency	IO 868 MHz
Gutters	1
Power supply	CR2032 3V
Operating range	50 m (20 m interior)
Protection rating	IP30
Dimensions	139 × 42 × 16 mm

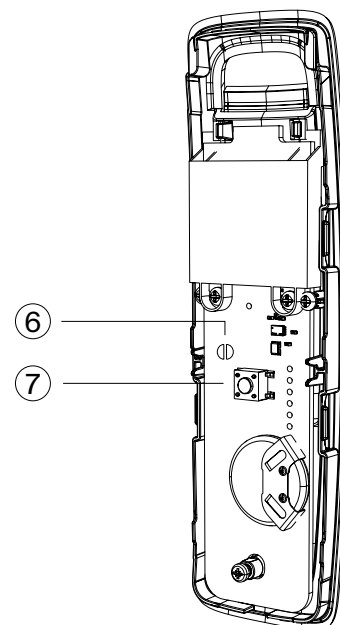
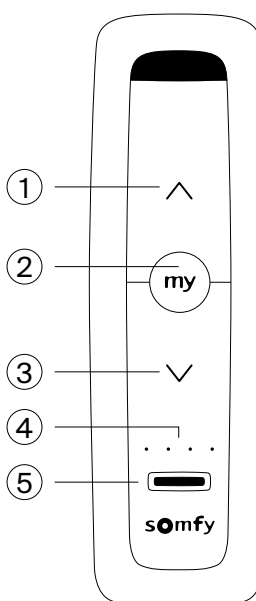
- ① Up/On/Open button
- ② STOP/my button
- ③ Down/Off/Close button
- ④ Button activation indicator light
- ⑥ PROG button
- ⑦ Specific autonomous mode selector



SOMFY SITUO 5

Frequency	IO 868 MHz
Gutters	5
Power supply	CR2430 3V
Operating range	50 m (20 m interior)
Protection rating	IP30
Dimensions	139 × 42 × 16 mm

- ① Up/On/Open button
- ② STOP/my button
- ③ Down/Off/Close button
- ④ Button activation and group selection indicator light
- ⑤ Group selector
- ⑥ PROG button
- ⑦ Specific autonomous mode selector

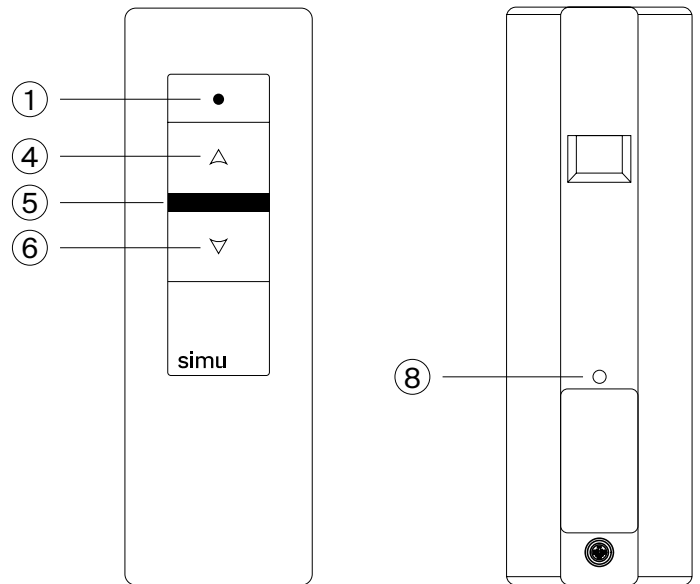


* Somfy transmitters are exclusively compatible with Somfy motors, and Simu transmitters exclusively with Simu motors.

SIMU MOBILE 1C

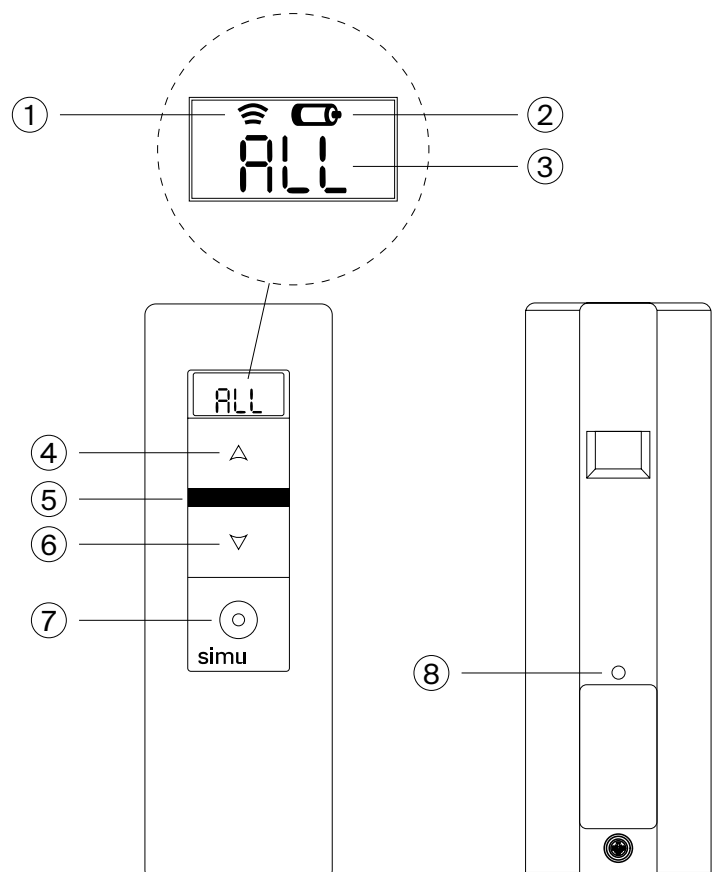
Frequency	433,42 MHz
Gutters	1
Power supply	CR2430 3V
Operating range	50 m (20 m interior)
Protection rating	IP30
Dimensions	125 x 40 x 15 mm

- ① Transmission indicator
- ④ UP control button
- ⑤ STOP / P.I. control button
- ⑥ DOWN control button
- ⑧ Programming button "PROG"

**SIMU MOBILE 5C**

Frequency	433,42 MHz
Gutters	5
Power supply	CR2430 3V
Operating range	50 m (20 m interior)
Protection rating	IP30
Dimensions	125 x 40 x 15 mm
Screen	Yes

- ① Transmission indicator
- ② Low battery indicator
- ③ Selected channel: 1, 2, 3, 4, 5 or All
- ④ UP control button
- ⑤ STOP / P.I. control button
- ⑥ DOWN control button
- ⑦ Selection button
- ⑧ Programming button "PROG"





We believe in the *elegance* of engineering.